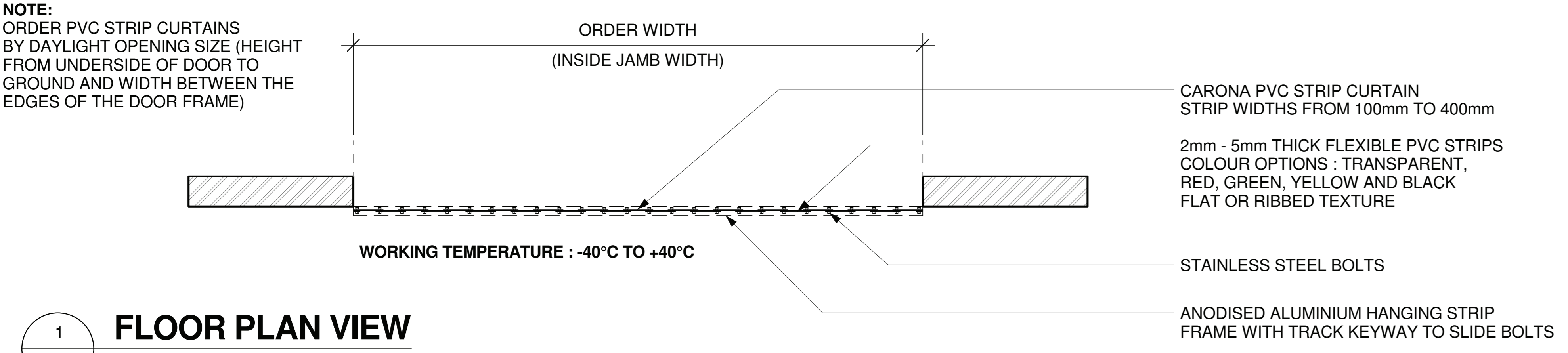
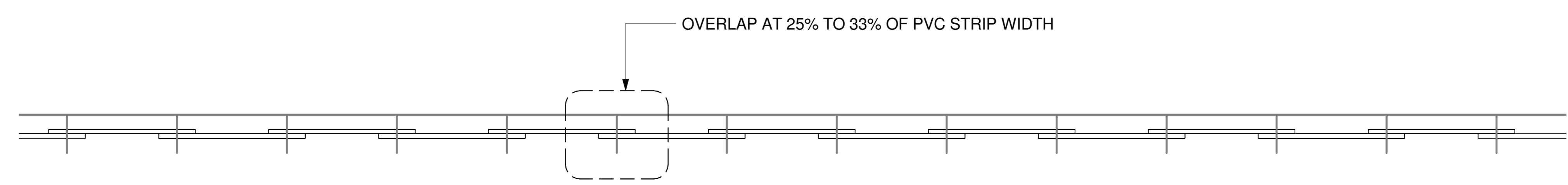


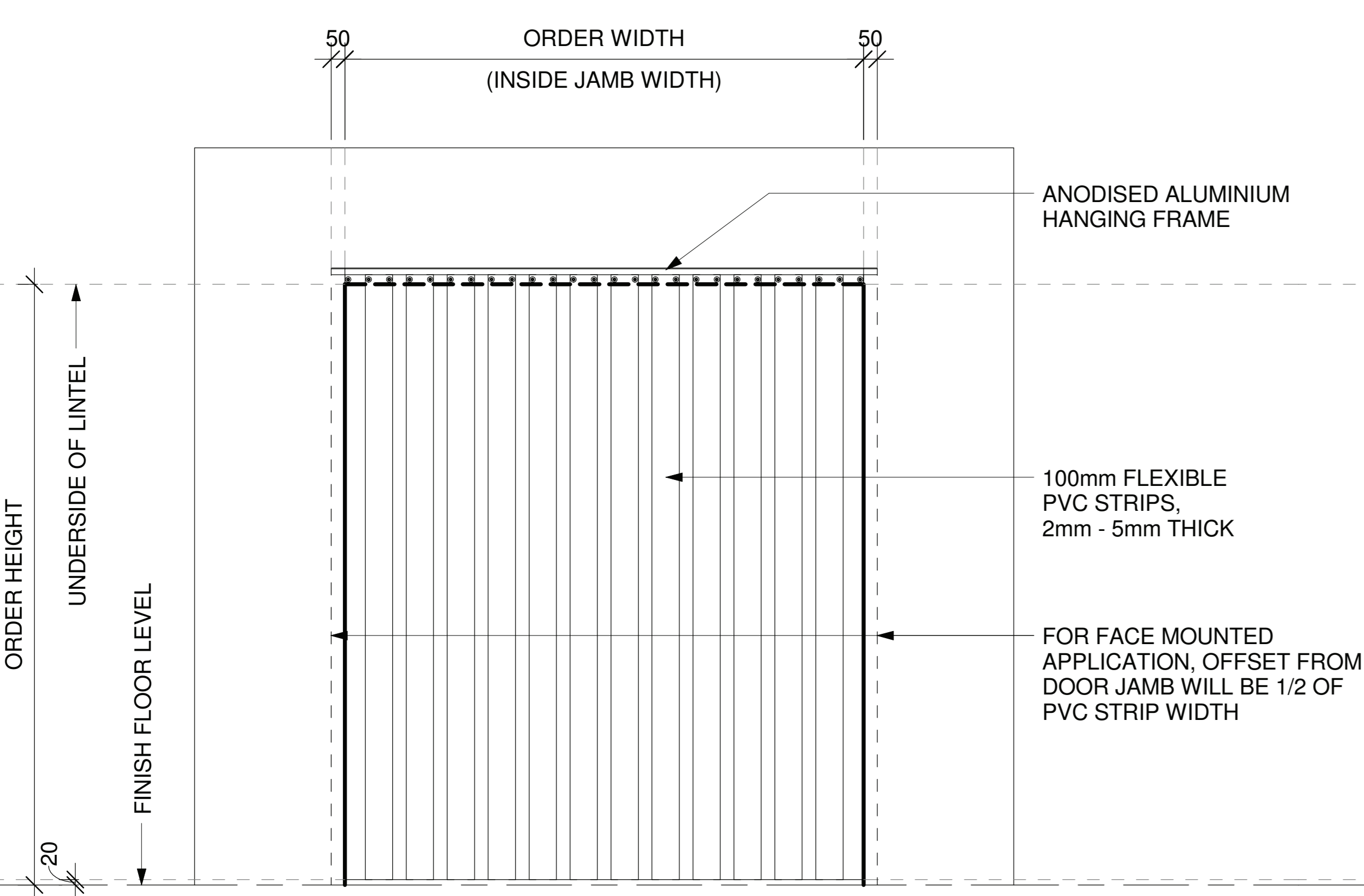
NOTE:
ORDER PVC STRIP CURTAINS BY DAYLIGHT OPENING SIZE (HEIGHT FROM UNDERSIDE OF DOOR TO GROUND AND WIDTH BETWEEN THE EDGES OF THE DOOR FRAME)



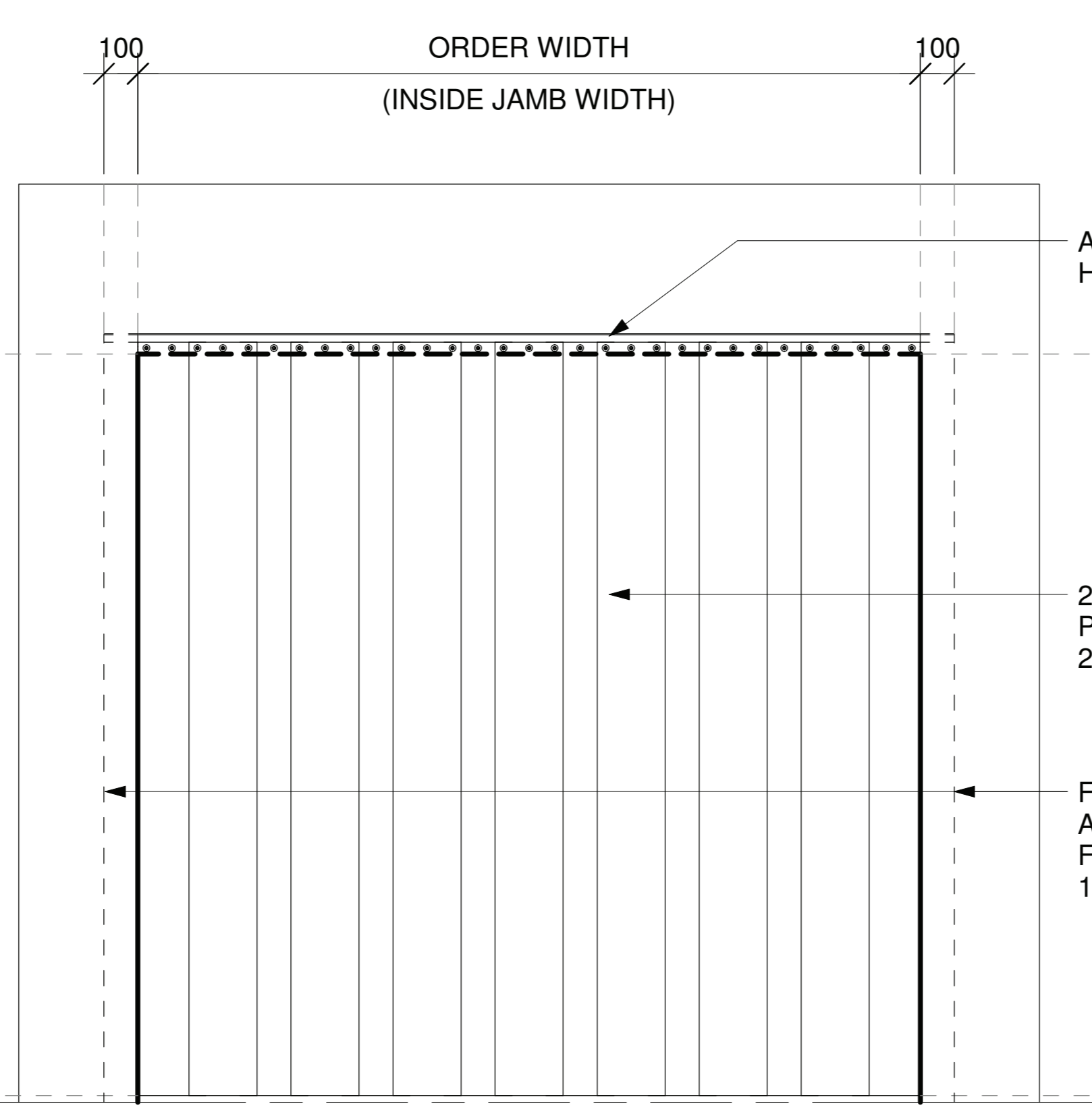
1 FLOOR PLAN VIEW
SCALE: 1:10 MTS.



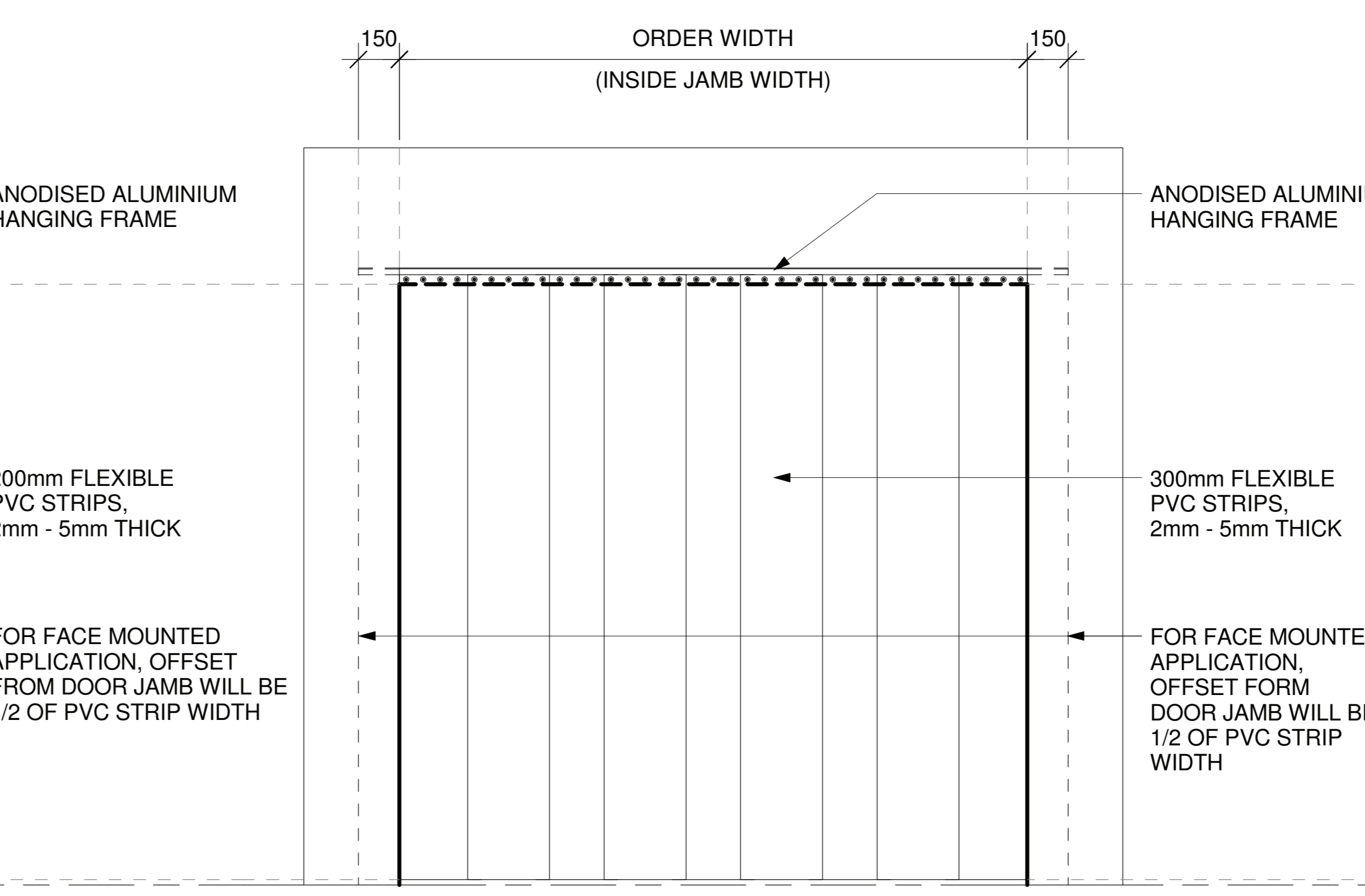
2 CORRECT MOUNTING LAYOUT
SCALE: 1:2 MTS.



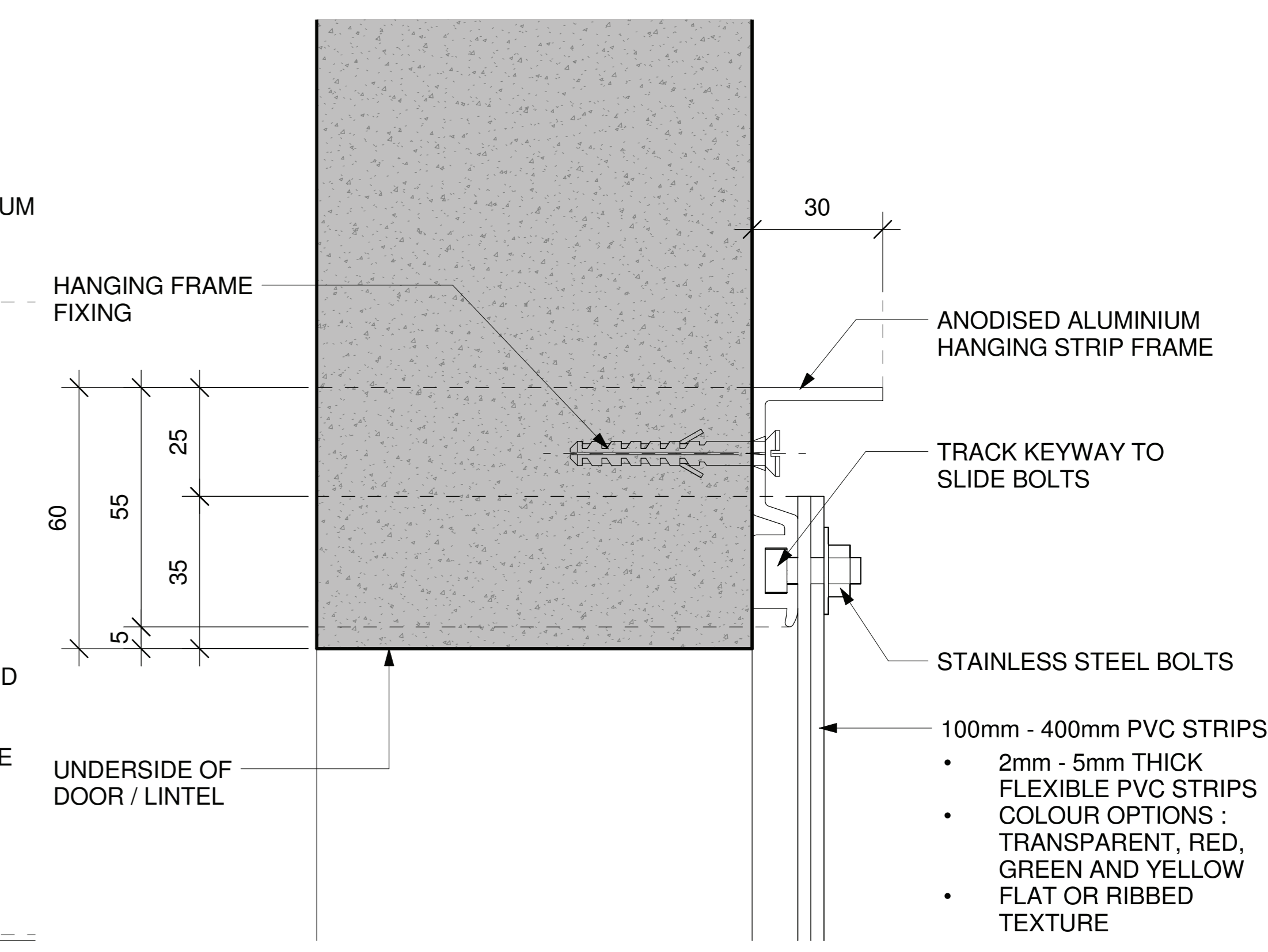
3 ELEVATION VIEW (100mm STRIPS)
SCALE: 1:15 MTS.



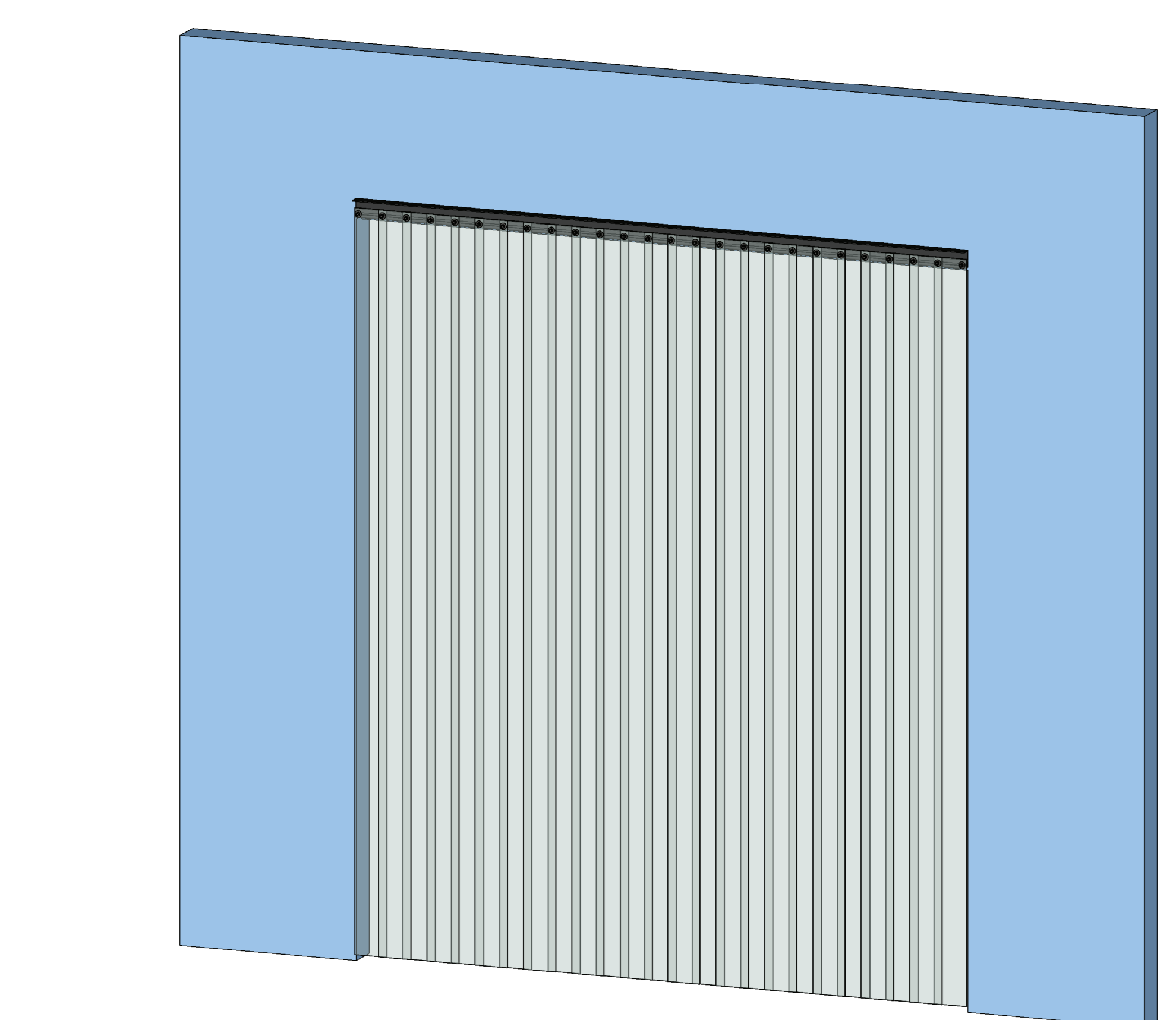
4 ELEVATION VIEW (200mm STRIPS)
SCALE: 1:15 MTS.



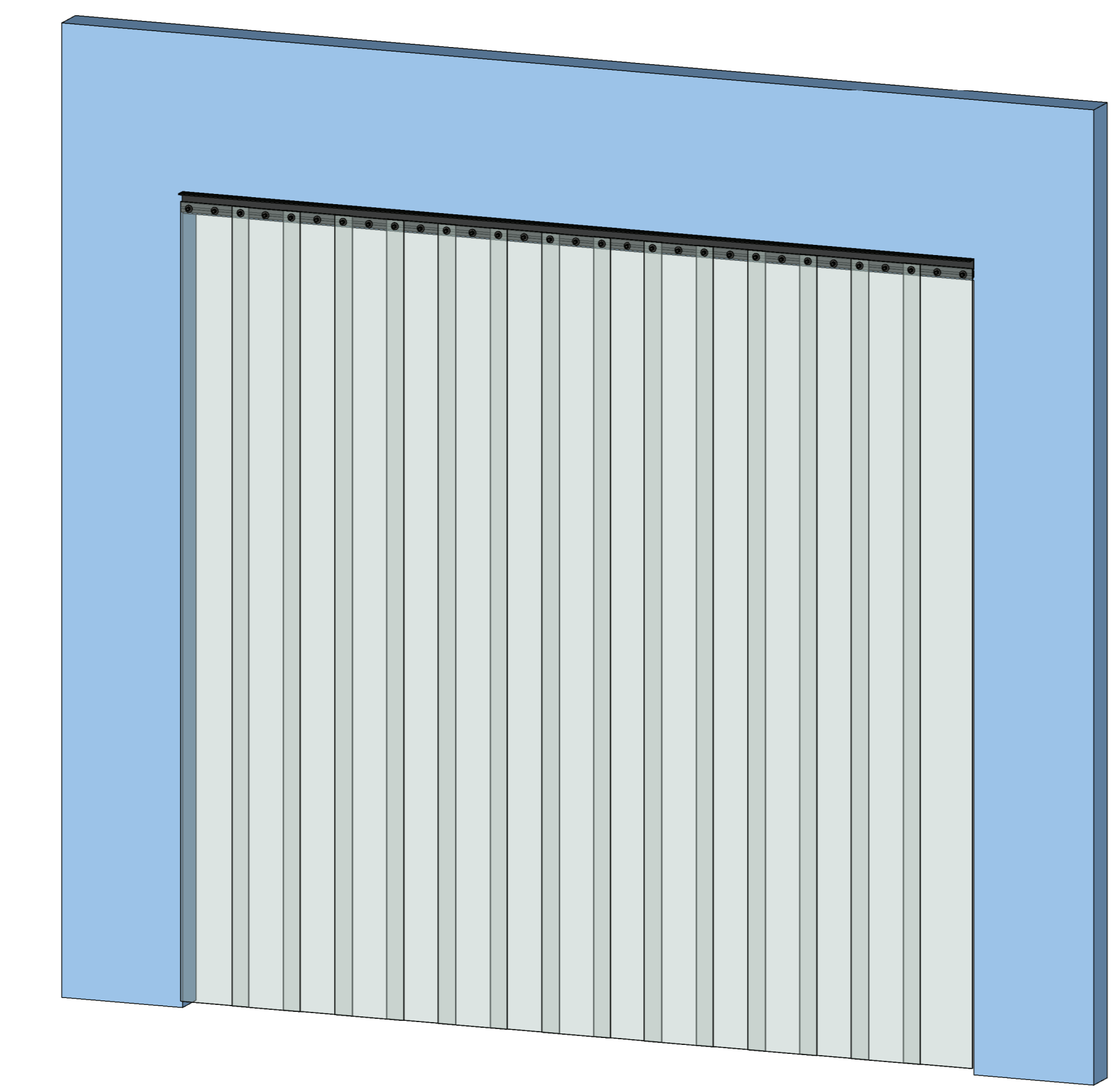
5 ELEVATION VIEW (300mm STRIPS)
SCALE: 1:15 MTS.



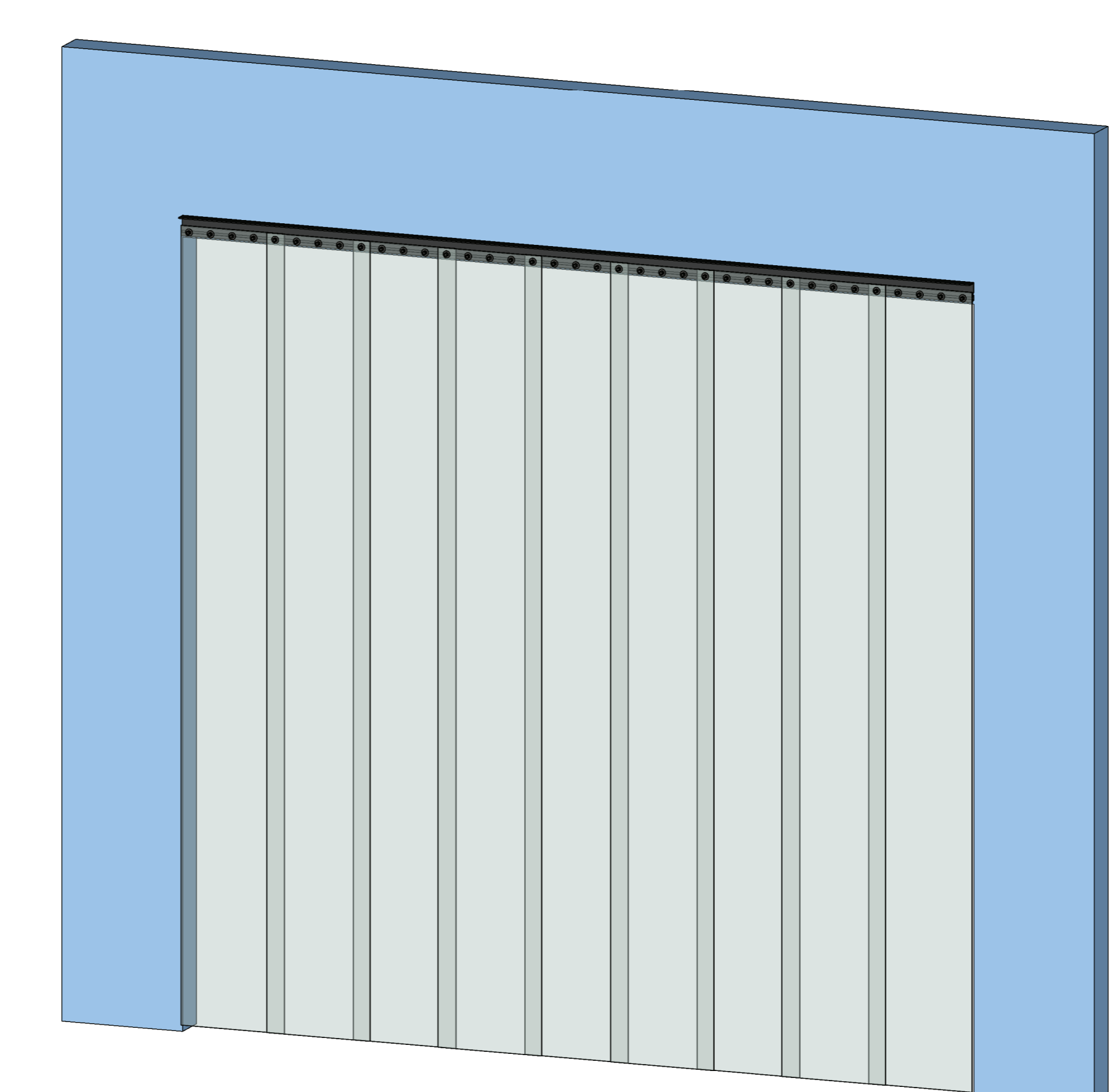
9 DETAIL VIEW (FACE MOUNTED)
SCALE: 1:1 MTS.



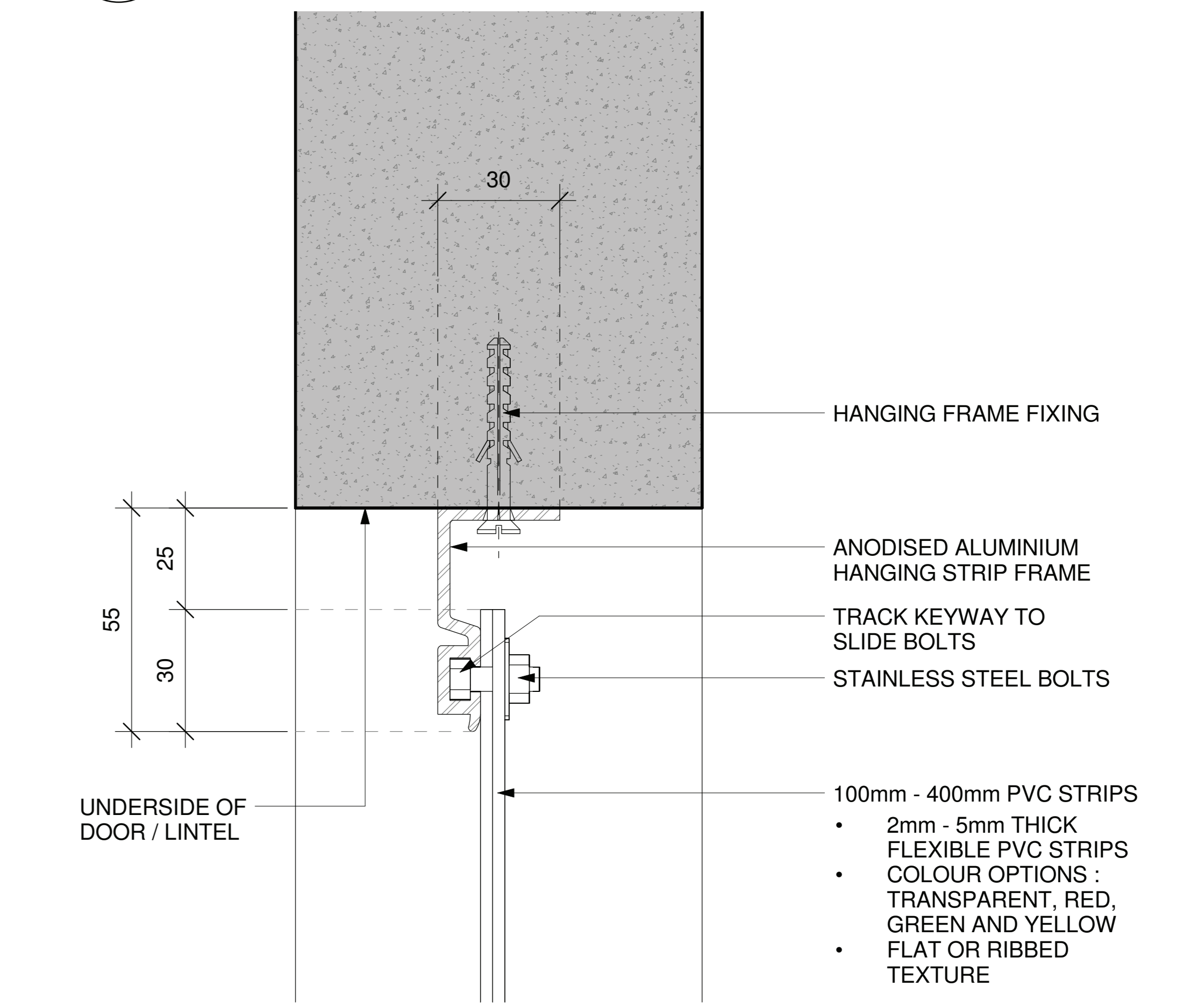
6 3D VIEW (100mm STRIPS)
SCALE: N.T.S.



7 3D VIEW (200mm STRIPS)
SCALE: N.T.S.



8 3D VIEW (300mm STRIPS)
SCALE: N.T.S.



10 DETAIL VIEW (UNDERHEAD MOUNTED)
SCALE: 1:1 MTS.

Carona Flexible PVC Strip Curtain

NOTE: CONTACT CARONA GROUP FOR ANY CUSTOMISATIONS AND TO DISCUSS PROJECT SPECIFIC INFORMATION

CONTROL YOUR ENVIRONMENT
BARRIER & DOOR SYSTEMS FOR ENERGY & HYGIENE CONTROL
☎ 02 4702 6655 ✉ sales@carona.com.au 🌐 carona.com.au
40 Livingstone Street, Lawson NSW 2870

NO.	DESCRIPTION	DATE	PLAN VIEW, ELEVATION AND 3D VIEW
			PROJECT NUMBER
			DATE
			DRAWN BY
			Carona-PVCSTRIPS-001
			SCALE